

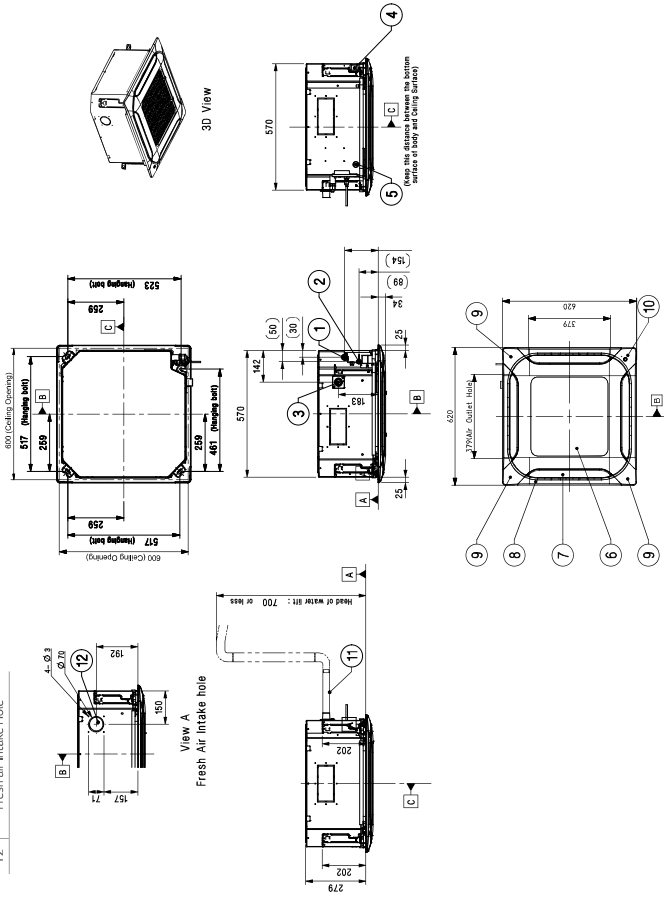
CEILING CASSETTE

H-INVERTER (R32)

UT09FH NQ0 / UT12FH NQ0

(Unit: mm)

Part Name
1 Gas Pipe Connection
2 Liquid Pipe Connection
3 Drain Pipe Connection
4 Power and Communication Cable Routing Hole
5 Wired Remote Controller Wire Routing Hole
6 Air Inlet
7 Air Outlet
8 Decoration Panel (Accessory)
9 Decoration Corner Cover
10 Decoration Corner Display Cover
11 Flexible Drain Hose
12 Fresh air Intake Hole



CEILING CASSETTE

H-INVERTER (R32)

UT18FH NB0

(Unit: mm)

Part Name
1 Gas Pipe Connection
2 Liquid Pipe Connection
3 Drain Pipe Connection
4 Power and Communication Cable Routing Hole
5 Wired Remote Controller Wire Routing Hole
6 Air Inlet
7 Air Outlet
8 Decoration Panel (Accessory)
9 Decoration Corner Cover
10 Flexible Drain Hose
11 Fresh air Intake Hole

